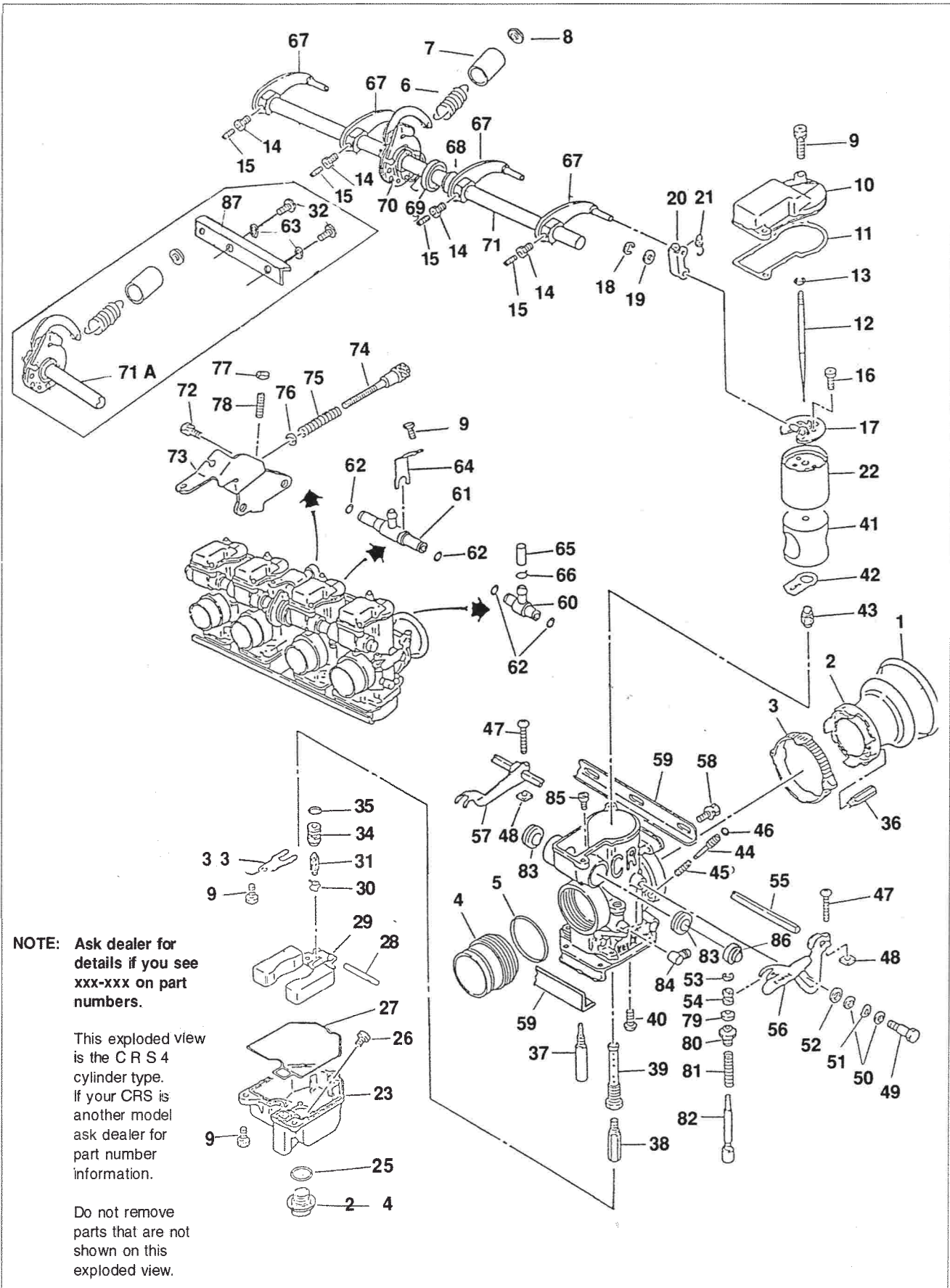


CRS (4 Cylinders) Exploded View



CRS (4 Cylinders) Parts List

NO.	DESCRIPTION	PART NO.	
		35MM - 39MM	26MM - 33MM
1	Rubber Cap	1028-809-7000	R028-004-7000
2	Velocity Stack SH.	1130-802-2001	1130-800-2001
2A	Velocity Stack LN.	1130-803-2001	1130-801-2001
3	Clamp	1129-804-7000	1129-803-7000
4	Mount Adaptor	1253-xxx-xxxx	<—
4A	Mount Adaptor	N195-xxxx	<—
5	O-ring	0901-012-6000	0901-812-6000
6	Tension Spring	1291-804-2000	<—
7	Tube	0804-846-0000	<—
8	Collar	1118-878-2000	<—
9	Screw	4139-802-1100	<—
10	Top	1030-814-2002	<—
11	Gasket	1031-802-2002	<—
12	Jet Needle	N427-51xxx	N427-11Yxx
12A	Jet Needle	N/A	N427-12Yxx
13	Clip	0403-802-1000	<—
14	Lock Nut	0208-803-1200	<—
15	Stop Screw	1034-814-2000	<—
16	Screw	W9155-04060	<—
17	Valve Plate	1019-801-2102	1019-802-2102
18	Clip	16179-676-3000	<—
19	Plain Washer	0301-825-7000	<—
20	Link Arm	1061-805-2000	<—
21	Spring	1291-802-2000	<—
22	Throttle Valve	N502-03x00	N502-04x00
23	Float Bowl	1050-825-2000	<—
24	Drain Screw	1018-801-2000	<—
25	O-ring	16173-001-0040	<—
26	Starter Jet	1001-108-2000-xxx	<—
27	O-ring	0901-811-6000	<—
28	Arm Pin	W9525-25250	<—
29	Float	1052-818-2100	<—
30	Clip	0405-019-1000	<—
31	Needle Valve	16115-ZG8-L100	<—
32	Screw	N114-06161	N/A
33	Plate	1164-038-2000	<—
34	Valve Seat	N360-01x00	<—
35	O-ring	16075-MB0-0030	<—
36	Main Air Jet	N424-14xxx	<—
37	Slow Jet	N424-24xxx	<—
38	Main Jet	99101-357-xxx0	<—
39	Nozzle Holder	N413-04x00	<—
39A	Nozzle Holder	N426-04000	<—
40	Screw	4115-800-1101	<—
41	Jet Block	1605-xxx-2001	<—
42	Gasket	1202-808-2002	1202-809-2002
43	Needle Jet	1041-800-2001	<—

NO.	DESCRIPTION	PART NO.	
		35MM - 39MM	26MM - 33MM
44	Air Screw	1014-004-2002	<—
45	Spring	1290-003-2001	<—
46	O-ring	0901-006-6000	<—
47	Screw	4110-806-1100	<—
48	Nut	0205-800-1100	<—
49	Bolt	0118-801-1100	<—
50	Plain Washer	0301-009-1100	<—
51	Wave Washer	2007-800-2000	<—
52	Plain Washer	0301-104-7000	<—
53	Clip	W9302-25000	<—
54	Collar	1118-801-2000	<—
55	Shaft	1111-813-2000	<—
56	Lever	1113-861-2001	<—
57	Lever	1113-862-2000	<—
58	Screw	4139-803-1100	<—
59	Bracket	1190-833-2000	<—
59A	Bracket	N/A	1190-853-2001
59B	Bracket	N/A	1190-854-2001
59C	Bracket	N/A	1190-855-2001
60	T-joint	1077-804-7000	<—
61	T-joint	1077-803-7000	<—
62	O-ring	W9351-13057	<—
63	Washer	0301-090-1201	N/A
64	Plate	1190-832-2000	<—
65	Rubber Cap	1028-808-7000	<—
66	Clip	W9535-55000	<—
67	Link Lever	1100-836-2100	<—
68	Collar	1118-861-7000	<—
69	Collar	1118-860-7000	<—
70	Spring	1305-883-2000	<—
71	Throttle Shaft	5025-847-2200	<—
71A	Throttle Shaft	5025-931-2100	N/A
72	Screw	4139-803-1100	<—
73	Bracket	1190-xxx-xxxx	<—
74	Idle Speed Screw	1034-808-2000	<—
75	Spring	1290-849-2003	<—
76	Plain Washer	16178-ML7-0040	<—
77	Nut	94001-05080-0S	<—
78	Screw	93500-05025-1H	<—
79	Rubber Cap	1028-042-7001	<—
80	Cap	1029-805-7000	<—
81	Spring	1300-136-2000	<—
82	Starter Valve	1166-802-2101	<—
83	Seal	1099-805-7000	<—
84	L-joint	1074-817-7001	<—
85	Starter Jet	1001-108-2000-xxx	<—
86	Cap	1096-810-2000	<—
87	Bracket	1190-870-2000	N/A

NOTE: See Tuning Components Section to find part numbers for jetting parts.