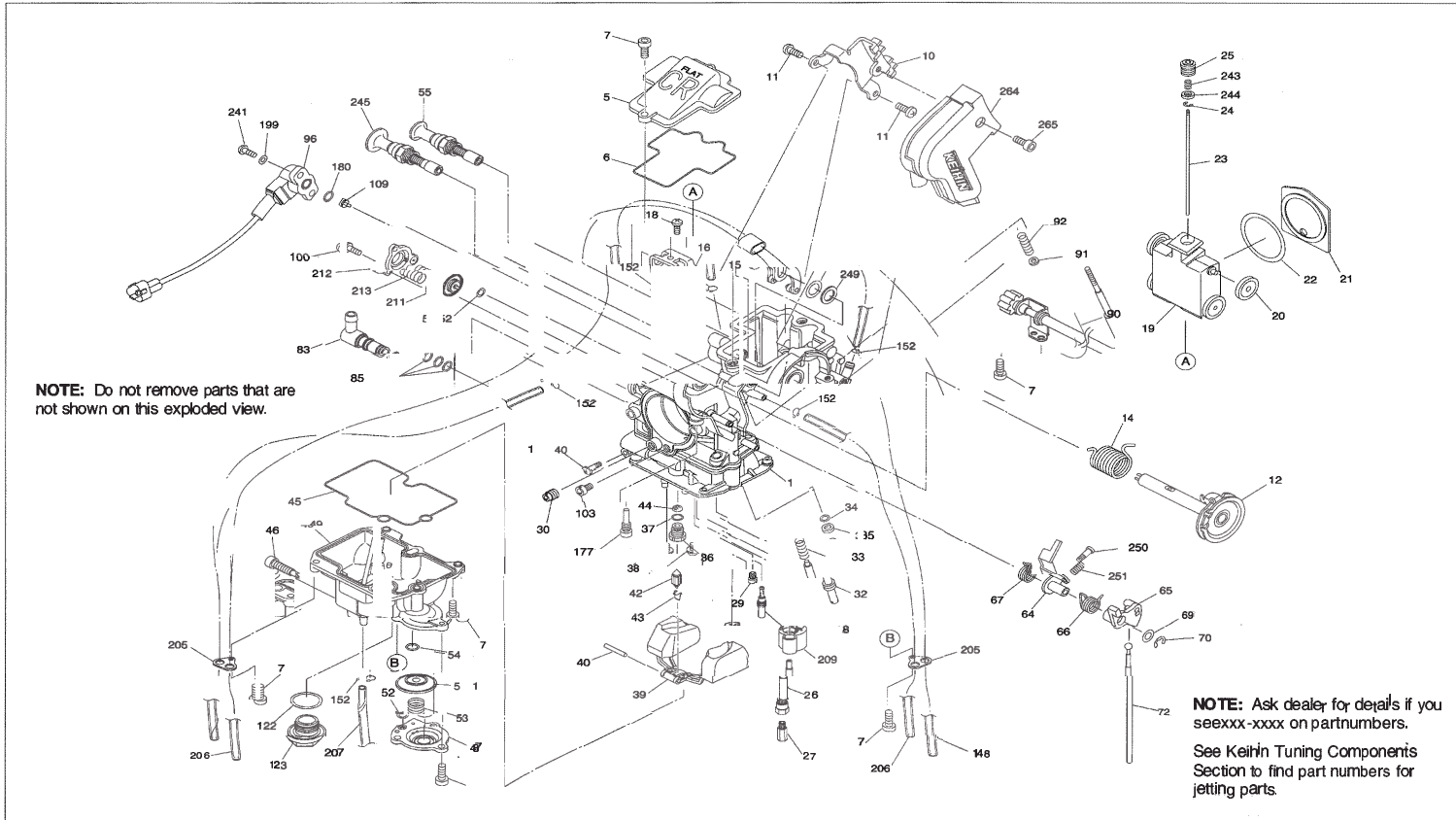


## FCR-MX Exploded View



#	DESCRIPTION	PART NO.
51	Diaphragm Comp.	1201-858-2700
52	U-Ring	W9353-36000
53	Coil Spring	1300-142-2000
54	O-Ring	16178-548-0040
55	Starter Valve Comp.	1166-844-2100
64	Link Lever	1100-914-2100
65	Link Lever #2	1100-915-7000
66	Coil Spring #1	1305-B01-2001
67	Coil Spring #2	1305-A82-2000
69	Washer	W1795-223-9900
70	E-Clip	16179-676-3000
72	Rod	1458-858-2001
83	Fuel Joint	1074-892-2100
85	O-Ring	W9351-13057
90	Idle Speed Screw	1034-815-4500
91	Washer	0301-078-1200
92	Coil Spring	1300-112-2000
96	TPS	1614-862-2100
100	Screw (M4 x 8)	0136-804-1100
103	Main Air Jet	99101-393-xxx0
109	Collar	16145-MZ2-7800
122	O-Ring	16173-001-0040
123	Drain Bolt	16162-ND4-7511-M1
140	Screw	0110-804-1200
148	Vent Hose	0803-884-0100
152	Hose Clip	W9535-35000
177	Stop Screw	1034-905-2000
180	O-Ring	16978-ZB9-0050
199	Washer	0301-261-36G5
205	Hose Retainer	16179-KZ4-6900
206	Vent Hose	0803-878-0000
207	Vent Hose	95003-07033-31
209	Buffer Plate	1157-812-7000
211	Diaphragm Comp.	W1470-MW0-7500
212	Cover	1230-850-2000
213	Coil Spring	1290-A19-2000
241	Screw (Torx)	0137-261-36G5
243	Coil Spring	1290-A65-2000
244	Collar	1118-B36-2000
245	Hot Start Valve	1166-845-2100
249	Washer	W1795-164-9900
250	Stop Screw	16124-KR3-6010-M1
251	Coil Spring	16053-KT7-0030
264	Cover	1230-869-7001
265	Cover Screw	0136-839-1100

## FCR-MX Parts List

#	DESCRIPTION	PART NO.
5	Top	1030-897-2000
6	Gasket	1202-895-6000
7	Screw (M4 x 12)	0136-806-1100
8	Screw (M4 x 8)	0136-808-1100
10	Bracket	1190-840-2101
11	Screw	93500-05008-1H
12	Throttle Shaft Comp.	5025-B35-2201
14	Coil Spring	1305-A83-2000
15	Washer	0301-092-7000

#	DESCRIPTION	PART NO.
16	Link Arm Comp.	1061-831-2101
18	Stop Screw	4110-825-1100
19	Throttle Valve	N501-49C01
20	Roller	1119-803-7002
21	Plate	1609-809-2100
22	Seal	1099-817-6000
23	Jet Needle	N427-0Cxxx
24	Clip	0403-802-1000
25	Set Screw	1421-802-2000
26	Main Nozzle	1154-842-2000

#	DESCRIPTION	PART NO.
27	Main Jet	99101-357-xxx0
28	Slow Jet	N424-21xxx
29	Starter Jet	99101-393-xxx0
30	Slow Air Jet	99101-124-xxx0
32	Pilot Screw	N446-26A00
33	Coil Spring	1290-812-2000
34	O-Ring	16075-KG8-9010-M1
35	Washer	0301-803-2000
36	Valve Seat 3.2-4mm	N361-04xx1
37	O-Ring	16958-397-7710-M1

#	DESCRIPTION	PART NO.
38	Screw	0118-806-1100
39	Float Comp.	1052-856-2100
40	Arm Pin	W9525-25250
42	Float Valve 3.2-4mm	1062-814-2101
43	Clip	0405-019-1000
44	Fuel Screen	2009-811-2100
45	O-Ring	1202-896-6000
46	Drain Screw	1198-810-2002
47	Cover	1230-826-2002
49	Float Bowl Comp.	1050-948-2101