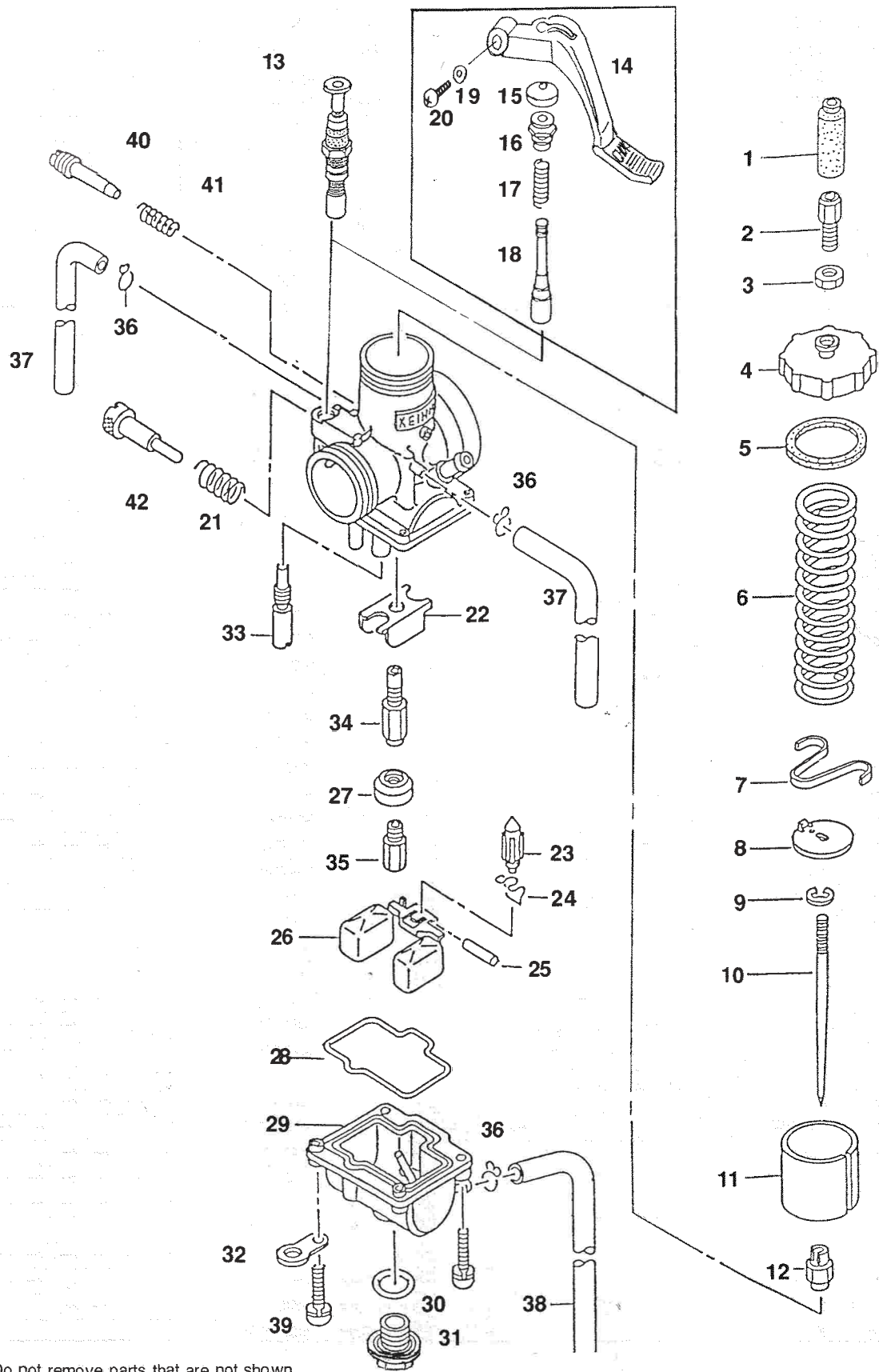


PE Carburetor Exploded View



NOTE: Do not remove parts that are not shown on this exploded view.

PE Carburetor Parts List

No.	DESCRIPTION	PART NUMBER	20MM	22MM	24MM	26MM	28MM	30MM	34MM	36MM	38MM	No.	DESCRIPTION	PART NUMBER	20MM	22MM	24MM	26MM	28MM	30MM	34MM	36MM	38MM	
1	Cap. Cable Holder	W1597-023-9900							←	←	←	19	Starter Lever	W1271-031-9901	←	←	←							
1A	Cap. Cable Holder	16148-KB1-9210-M1				←	←					19A	Starter Lever	W1271-008-9910			←							
2	Cap. Cable Holder	16118-116-0040	←	←	←			←				20	Rubber Cap	16148-PJ7-0051	←	←	←	←	←	←	←	←	←	
3	Cable Adjuster	W9581-59200								←	←	21	Starter Lever Holder	W1551-035-9901	←	←	←	←	←	←	←	←	←	
4	Cable Adjuster	W9581-70210									←	21A	Starter Valve Spring	W1711-403-9900	←	←	←	←	←	←	←	←	←	
5	Cable Adjuster	W9581-59250	←	←	←							22	Starter Valve	W1275-011-9900									←	
6	Nut/Cable Adj.	W1793-121-9900							←	←	←	23	Starter Valve	W1275-020-9900	←	←	←							
7	Nut/Cable Adj.	W1793-130-9900	←	←	←				←	←	←	24	Filter	W1704-362-9900	←	←	←							
8	Nut/Cable Adj.	16096-HC0-0030				←	←					25	Screw	93500-04012-1H	←	←	←	←						
9	Tops	G1591-093-9900									←	26	Spring	G1711-286-9901								←	←	
10	Tops	W1591-092-99-9901									←	21A	Spring	16052-KG8-9010-M1	←	←	←	←	←	←	←	←	←	
11	Tops	G1591-124-9900							←			27	Baffle Plate	G1130-004-9900								←	←	←
12	Tops	W1591-101-9913							←	←		28	Float Valve	W1362-024-9900								←	←	←
13	Tops	G1591-145-9900	←	←	←							29	Float Valve	W1362-020-9901	←	←	←	←	←	←	←	←	←	←
14	Gasket	G1593-039-9900										30	Clip/F. Valve	W1782-013-9900	←	←	←	←	←	←	←	←	←	←
15	Gasket	16110-NCB-0040										31	Float Pin	W9525-25250	←	←	←	←	←	←	←	←	←	←
16	Gasket	16110-VM0-6610-M1										32	Float	G1310-058-9911										←
17	Gasket	W1593-039-9900				←	←					33	Float	G1310-059-9901										←
18	Gasket	W1593-040-9900	←	←	←							34	Float	G1310-080-9902										←
19	Throttle Spring	G1711-484-9900									←	35	Float	W1310-067-9902	←	←	←							
20	Throttle Spring	G1711-523-9900									←	36	Float	W1310-080-9901										←
21	Throttle Spring	G1711-609-9900									←	37	Baffle	16168-KA5-0040										←
22	Throttle Spring	16050-GC4-7310-M1									←	38	Jet Holder	16168-GC4-7010-M1	←	←	←	←	←	←	←	←	←	←
23	Throttle Spring	G1711-586-9910									←	39	Gasket/F. Bowl	16163-ND4-7510-M1										←
24	Throttle Spring	16050-GF5-7410-M1									←	40	Gasket/F. Bowl	W1354-042-9900	←	←	←	←	←	←	←	←	←	←
25	Throttle Spring	G1711-614-9900	←									41	Float Bowl	W1350-189-9910										←
26	Throttle Spring	16050-GF5-6710-M1									←	42	Float Bowl	W1350-292-9901										←
27	Clip/Th. V. Plate	W9574-35000									←	43	Float Bowl	W1350-239-9903	←	←	←	←						
28	Clip/Th. V. Plate	W9574-31000									←	44	Float Bowl	W1350-291-9901										←
29	Clip/Th. V. Plate	W9574-27000									←	45	Drilling	16173-001-0040	←	←	←	←	←	←	←	←	←	←
30	Clip/Th. V. Plate	W9574-20000									←	46	Plug Screw	16162-ND4-7511-M1	←	←	←	←	←	←	←	←	←	←
31	Clip/Th. V. Plate	16114-GF5-0040	←	←	←							47	Anchor Plate	16179-428-6711-M1										←
32	Th. Valve Plate	G1506-017-9900									←	48	Slow Jet	N424-22xxx										←
33	Th. Valve Plate	W1506-019-9900									←	49	Slow Jet	N424-21xxx	←									←
34	Th. Valve Plate	W1506-018-9900									←	50	Slow Jet	N424-32xxx										←
35	Th. Valve Plate	W1506-027-9900									←	51	Slow Jet	99103-xxx-xxx0										←
36	Th. Valve Plate	W1506-028-9900									←	52	Holder Jet	16164-KA5-0041										←
37	Clip/Jet Needle	16115-169-0040	←	←	←	←	←	←	←	←	←	53	Holder Jet	G1413-34A-9900	←									←
38	Jet Needle	N427-46xxx									←	54	Holder Jet	16165-GC4-7010-M1										←
39	Jet Needle	G1427-36X-9900	←	←	←							55	Main Jet	99101-357-xxx0	←	←	←	←	←	←	←	←	←	←
40	Jet Needle	N427-47xxx									←	56	Clip/Pipe	W9535-35000	←	←	←	←	←	←	←	←	←	←
41	Throttle Valve	G1502-04X-9900									←	57	Pipe	95003-07039-31										←
42	Throttle Valve	G1502-03X-9900									←	58	Pipe	W9404-40090										←
43	Throttle Valve	G1502-02X-9900									←	59	Pipe	95003-07027-31	←	←	←	←	←	←	←	←	←	←
44	Throttle Valve	G1502-00X-9900									←	60	Pipe	95003-05030-31										←
45	Throttle Valve	G1502-16X-9900									←	61	Pipe	95003-07030-31	←	←	←	←	←	←	←	←	←	←
46	Throttle Valve	W1502-01X-9900									←	62	Screw/F. Valve	93892-04016-18	←	←	←	←	←	←	←	←	←	←
47	Throttle Valve	G1502-15X-9900									←	63	Air Adj. Screw	16080-KG8-9010-M1	←	←	←	←	←	←	←	←	←	←
48	Throttle Valve	G1502-01X-9900	←	←								64	Air Adj. Screw	W1446-135-9900										←
49	Throttle Valve	G1502-01X-9900	←	←								65	Spring	W1711-416-9900	←	←	←	←	←	←	←	←	←	←
50	Throttle Valve	G1502-01X-9900									←	66	Th. Stop Screw	G1536-065-9900										←
51	Needle Jet	16164-169-0040	←	←	←							67	Th. Stop Screw	W1536-105-9901										←
52	Starter Valve	16046-KA5-7710-M1	←	←	←	←	←	←	←	←	←	68	Th. Stop Screw	W1536-120-9900	←	←	←							←