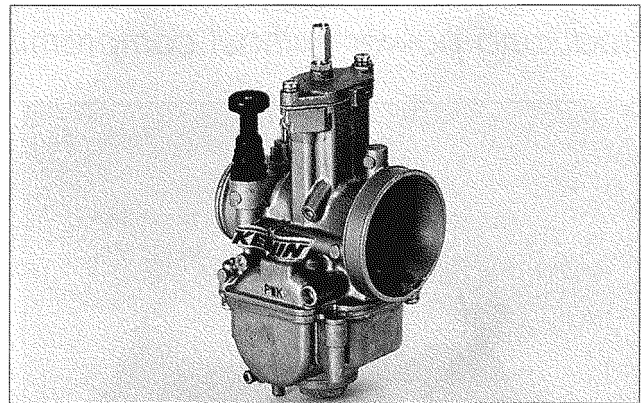
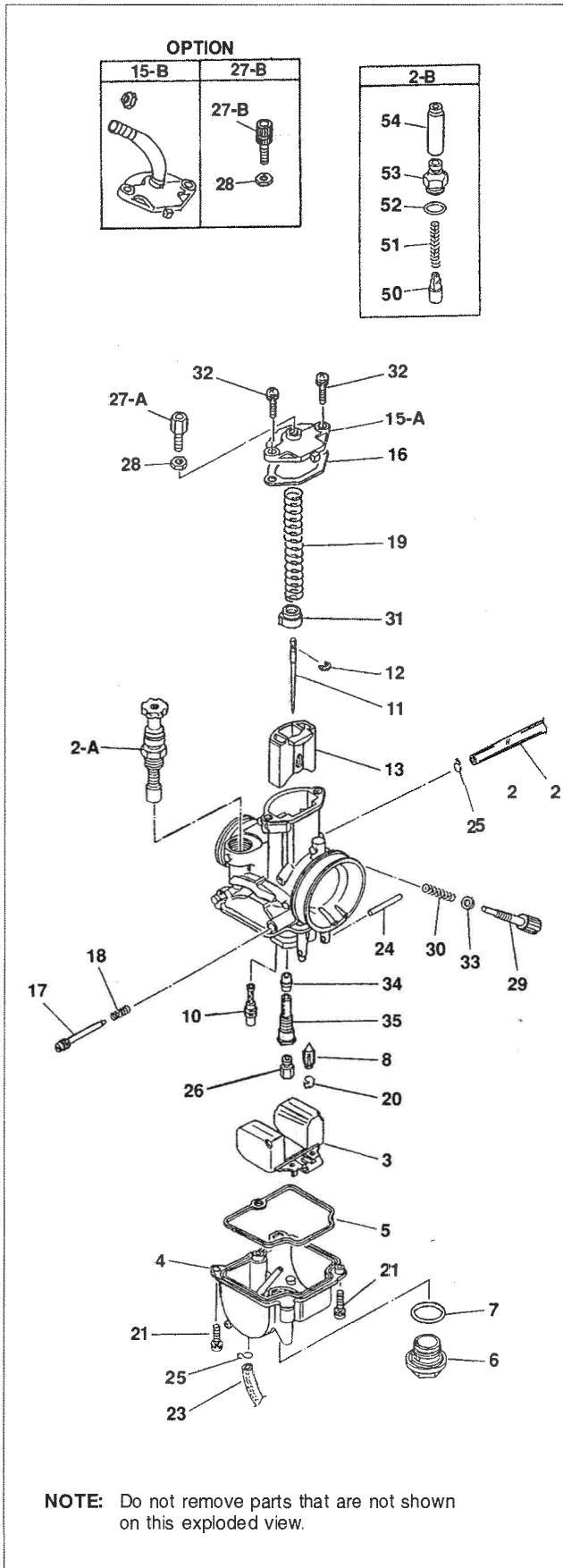


PWK 28 Carburetor Exploded View

PWK 28 Carburetor Parts List

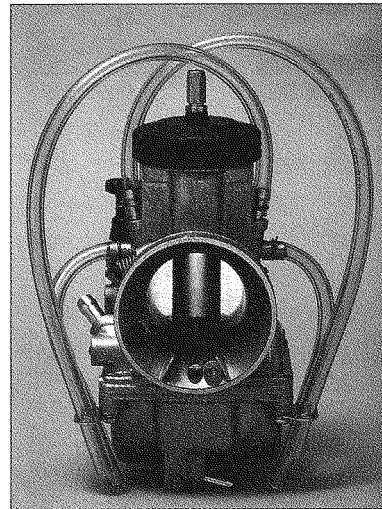
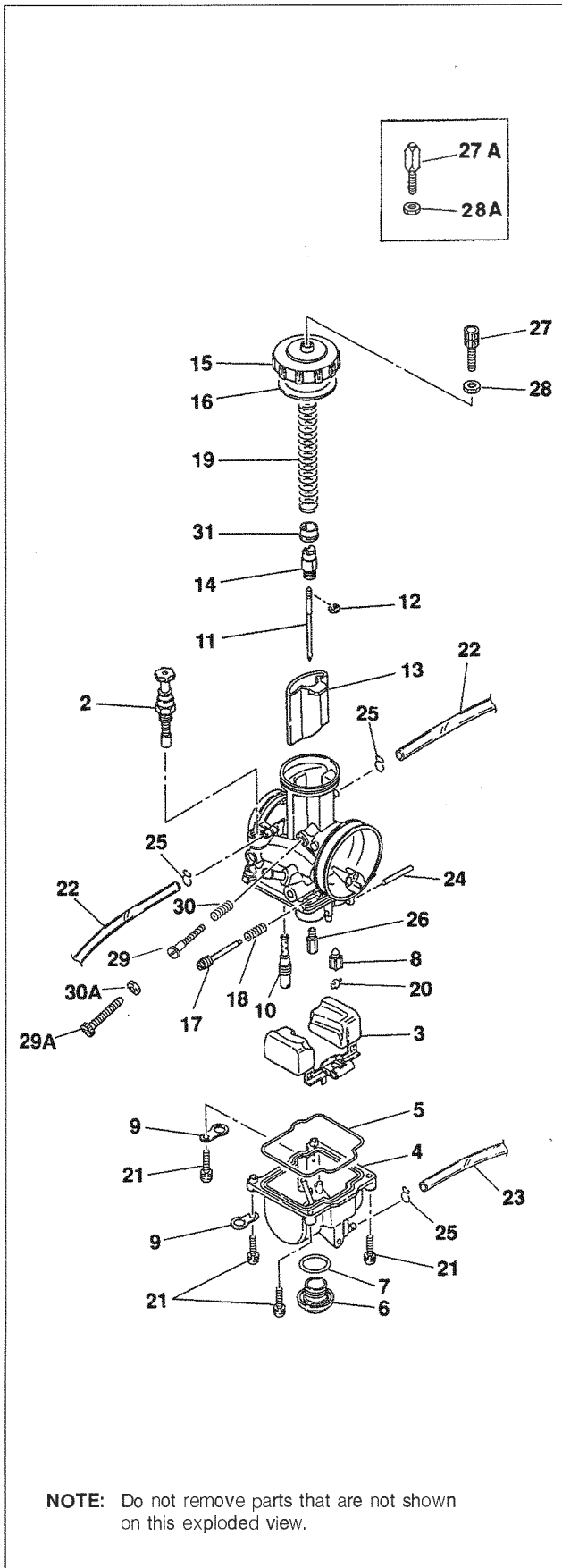


| No. | DESCRIPTION | PART NO. |
|-----|---------------------------|--------------------|
| 2A | Starter Valve Comp. | 1166-818-2100 |
| 2B | Starter Valve Comp. | SEE ASTERISKED NO. |
| 3 | Float | W1310-080-9901 |
| 4 | Float Bowl Comp. | N350-03A00 |
| 5 | Gasket, Float Bowl | W1354-042-9900 |
| 6 | Plug Screw | 16162-ND4-7511-M1 |
| 7 | O-Ring, Plug Screw | 16173-001-0040 |
| 8 | Float Valve Comp. | W1362-020-9901 |
| 10 | Slow Jet | N424-21xxx |
| 11 | Jet Needle | N427-46xxx |
| 12 | Clip, Jet Needle | 16115-169-0040 |
| 13 | Throttle Valve | N502-52x00 |
| 15a | Top | 1030-844-2000 |
| 15B | Top | 1030-843-2200 |
| 16 | Gasket, Top | 1202-837-2000 |
| 17 | Air Adjust Screw | W1446-231-9900 |
| 18 | Spring, Air Adjust | W1711-416-9900 |
| 19 | Spring, Throttle | 1290-921-2000 |
| 20 | Clip, Float Valve | 0405-013-1000 |
| 21 | Screw, Float Bowl | N114-04163 |
| 22 | Bowl Vent Pipe | W9404-40090 |
| 23 | Overflow Pipe | 95003-07042-31 |
| 24 | Float Pin | w9525-25250 |
| 25 | Clip | W9535-35000 |
| 26 | Main Jet | 99101-357-xxx0 |
| 26A | Main Jet (SDGAA) | 99101-393-xxx0 |
| 27A | Cable Adjuster | W9581-59250 |
| 27B | Cable Adjuster | 1036-804-2000 |
| 28 | Nut, Cable Adjuster | W1793-130-9900 |
| 29 | Idle Adjuster | 1034-831-2000 |
| 30 | Spring | 1290-923-2000 |
| 31 | Collar, Th. Spring | 1022-805-7000 |
| 32 | Screw, Top | N114-04140 |
| 33 | Washer | 0301-078-1200 |
| 34 | Needle Jet | 16164-169-0040 |
| 35 | Needle Jet Holder (SDGAA) | N413-11A00 |
| 35A | Needle Jet Holder | N413-12A00 |
| *50 | Starter Valve | W1275-028-9901 |
| *51 | Spring | 1290-922-2000 |
| *52 | O-Ring | 0901-069-6000 |
| *53 | Cable Holder | W1551-140-9900 |
| *54 | Cap | 16118-166-0040 |

NOTE: Ask dealer for details if you see xxx-xxx on part numbers.

If you see "SDGAA" on your carburetor's stamped portion, your main jet and needle jet holder has to be 26A and 35.

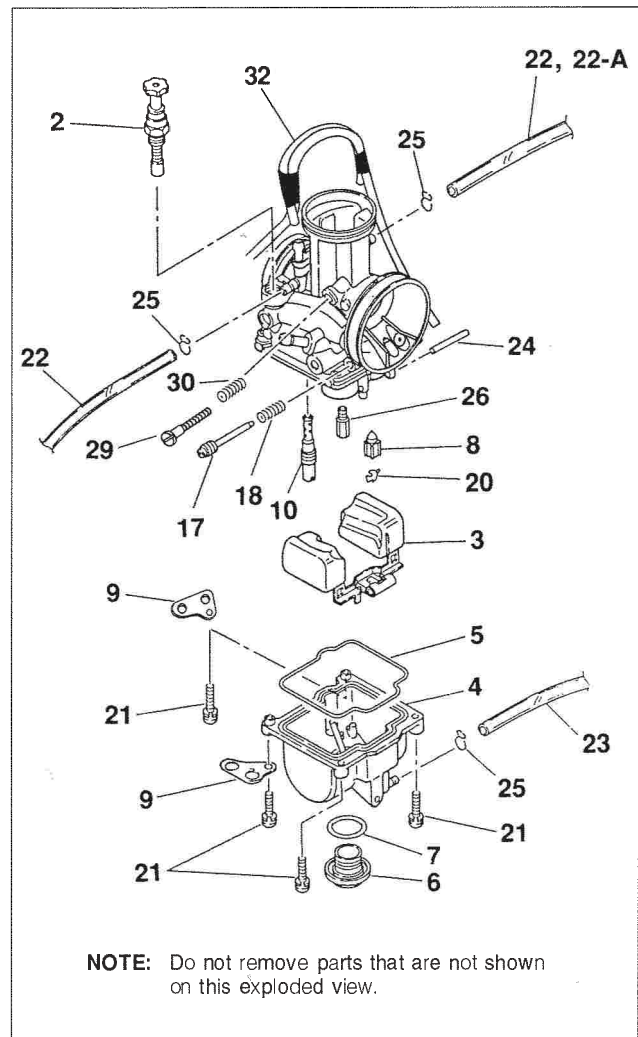
PWK 33, 35, 36, 38, 39 Carburetor Exploded View



PWK 38, Quad vents/Airstrikers

Quad Vents/Air Strikers

* See parts number 11,12,14,15, 16, 19,27,28,31 from next drawing.



PWK 33 – 39 Carburetor Parts List

| | DESCRIPTION | CARB. SIZE | | | QUAD VENT | | QUAD VENT |
|-----|--|--|-------------------|-----------------------|--------------------|--------------------|-------------------|
| | | PWK33 | PWK35 | PWK38 & 39 | PWK36 | AIR STRIKERS | AIR STRIKERS |
| | | | | | | PWK35 | PWK38 |
| 2 | STARTER VALVE COMP. | 1166-818-2101 | <----- | <----- | <----- | <----- | <----- |
| 3 | FLOAT | W1310-079-9921 | <----- | <----- | <----- | <----- | <----- |
| 4 | FLOAT BOWL COMP | W1350-311-9910 | <----- | <----- | <----- | <----- | <----- |
| 5 | GASKET FLOAT BOWL | 16163-ND4-7510-M1 | <----- | <----- | <----- | <----- | <----- |
| 6 | PLUG SCREW | 16162-ND4-7511-M1 | <----- | <----- | <----- | <----- | <----- |
| 7 | O-RING PLUG SCREW | 16173-001-0040 | <----- | <----- | <----- | <----- | <----- |
| 8 | FLOAT VALVE COMP. | 1062-814-2101 | <----- | <----- | <----- | <----- | <----- |
| 9 | ANCHOR PLATE Old No. | 16179-428-6710-M1 (16179-428-6711-m1) | <----- | 16179-428- 6710-M1 | 16179- KZ4-6900 | 16179- KZ4-6900 | <----- |
| 10 | SLOW JET | N424-21XXX | <----- | <----- | <----- | <----- | <----- |
| 11 | JET NEEDLE | N427-48XXX | <----- | <----- | <----- | <----- | <----- |
| 12 | CLIP JET NEEDLE | 16115-169-0040 | <----- | <----- | <----- | <----- | <----- |
| 13 | THROTTLE VALVE | N502-15XXX | <----- | N502-17X00 | <----- | N502-15X00 | N502-17X00 |
| 14 | CABLE HOLDER | 1101-804-2001 | <----- | <----- | <----- | <----- | <----- |
| 15 | TOP | 1030-840-2001 | <----- | <----- | <----- | <----- | <----- |
| 16 | GASKET | 16110-ND5-7610-M1 | <----- | <----- | <----- | <----- | <----- |
| 17 | AIR ADJUST SCREW | W1446-231-9900 | <----- | <----- | <----- | <----- | <----- |
| 18 | SPRING | W1711-416-9900 | <----- | <----- | <----- | <----- | <----- |
| 19 | SPRING THROTTLE | 1290-917-2001 | <----- | 1290-920- 2001 | <----- | 1290-917- 2001 | 1290-920- 2000 |
| 20 | CLIP, FLOAT VALVE | 0405-019-1000 | <----- | <----- | <----- | <----- | <----- |
| 21 | SCREW, FLOAT BOWL Old No. | N114-04163 (N114-04160) | <----- | <----- | <----- | <----- | <----- |
| 22 | BOWL VENT PIPE | 95003-07042-31 | <----- | 95003- 07048-31 | 95003- 07042-31 | 95003- 07048-31 | <----- |
| 22A | BOWL VENT PIPE | N/A | N/A | N/A | 0803-805- 2001 | N/A | N/A |
| 23 | OVERFLOW PIPE | 95003-05033-31 | <----- | <----- | <----- | <----- | <----- |
| 24 | FLOAT PIN | W9525-25250 | <----- | <----- | <----- | <----- | <----- |
| 25 | CLIP | W9535-35000 | <----- | <----- | <----- | <----- | <----- |
| 26 | MAIN JET | 99101-357-XXX0 | <----- | <----- | <----- | <----- | <----- |
| 27 | CABLE ADJUSTER | 1036-804-2000 | <----- | <----- | <----- | <----- | <----- |
| 27A | CABLE ADJUSTER | W9581-59250 (25mm) | <----- | <----- | <----- | <----- | <----- |
| 27B | CABLE ADJUSTER | W9581-59200 (20mm) | <----- | <----- | <----- | <----- | <----- |
| 28 | NUT CABLE ADJUSTER | 0208-007-1100 | <----- | <----- | <----- | <----- | <----- |
| 28A | NUT CABLE ADJUSTER | W1793-130-9900 | <----- | <----- | <----- | <----- | <----- |
| 29 | IDLE ADJUSTER (PLASTIC) | 1034-853-2000 | <----- | <----- | <----- | <----- | <----- |
| 29A | IDLE ADJUSTER (BRASS) | N/A | 1034-826- 2002 | 1034-826- 2002 | N/A | N/A | N/A |
| 30 | SPRING | 1290-963-2000 | <----- | <----- | <----- | <----- | <----- |
| 30A | NUT | N/A | 94002- 0508-OS | <----- | N/A | N/A | N/A |
| 31 | COLLAR | 1118-A35-7000 | <----- | <----- | <----- | <----- | <----- |
| 32 | BOWL VENT PIPE COMP (FOR QUAD VENT) | N/A | N/A | N/A | 1699-KZ3- 6900 | <----- | <----- |